

MOBILE LOADING UNIT

The Alternative to Transfer Vehicles.



CanAGRO is currently developing various design studies for mobile loading units for the non-energy dependant and flexible transfer of bulk materials.



CanAGRO is currently developing various design studies for mobile loading units for the non-energy dependant and flexible transfer of bulk materials.

The basic variant consists, as always, of a chassis-mounted feed hopper and a leading hydraulically sideways extendable and height adjustable transfer screw feed with a diameter of 250 mm (120 t/h), 330 mm (up to 200 t/h) or 400 mm (up to 300 t/h) depending on requirements and intended application.

Designs with chassis for attach-

ment to a tractor or other available vehicles, as well as simplified models for 3-point attachment are planned.

Likewise, various feed hopper designs are being considered, for example a 6 metre long feed hopper for side tipping, but also models with a 2,500 mm wide feed hopper for the straight reverse approach and tipping of rear tipper and dumper trucks. The drive is normally transmitted through the power take-off shaft of a tractor, but other drives via hydraulic or electric motors only are also possible.

POSSIBLE APPLICATIONS FOR THIS SYSTEM

- as an alternative transfer vehicle during

The grain can be directly loaded onto lorries at the edge of the field.
- as a mobile loading unit for grain merchants

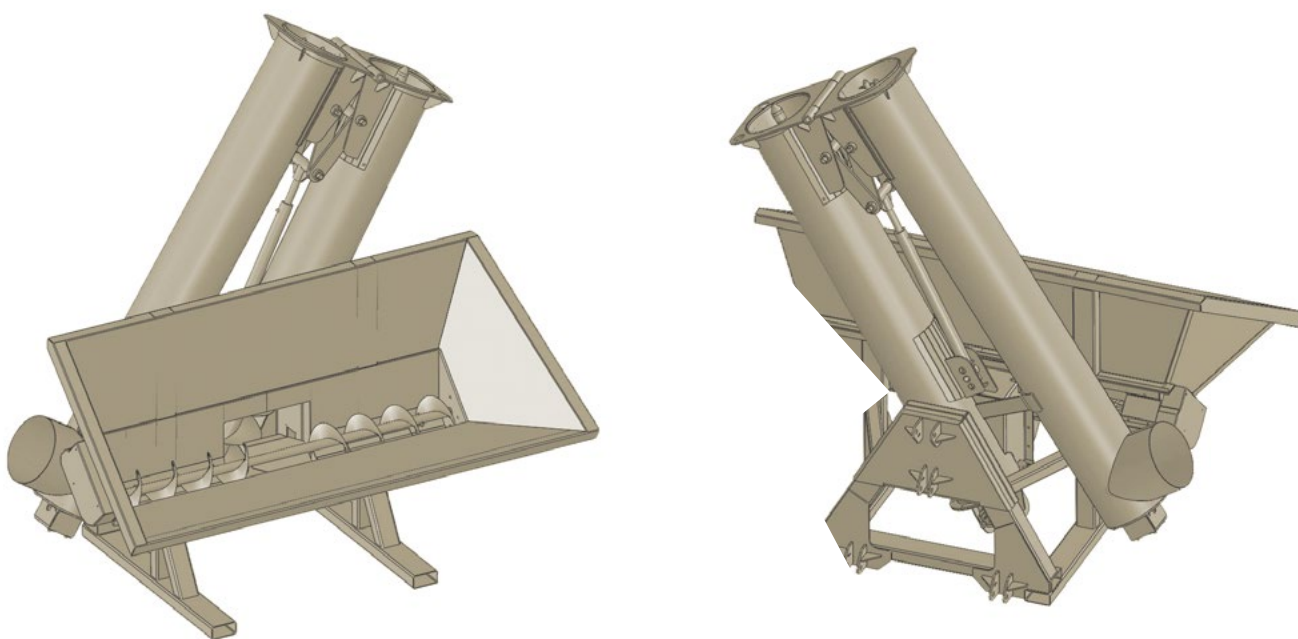
The grain stored by farmers can be thus loaded onto a lorry.
- for non-energy dependant loading of railway wagons

The delivery lorry can drive up to the feed hopper of the loading unit with its entire rear wall width and transfer the bulk material via the transfer feed screw.
- non-energy dependant and un-coupled from trailer loading of seed drills and fertilizer spreaders

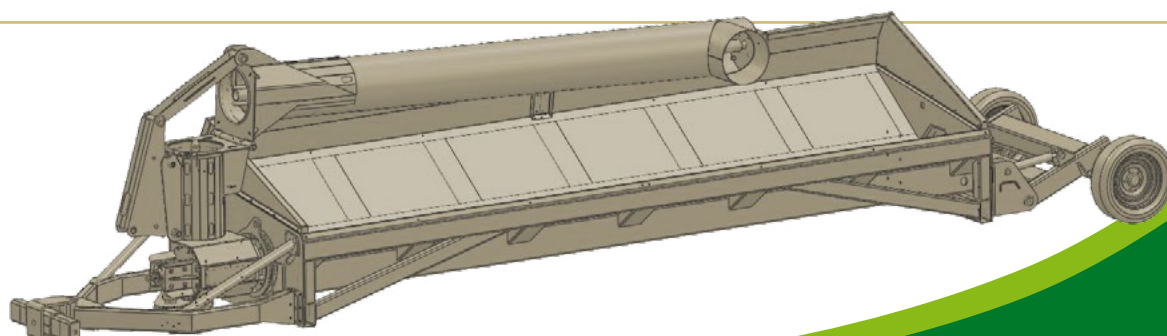
The transfer feed screw of the loading unit has a good reach and can be operated with little power (HP).
- for the loading of wood pellets, biomass etc.

With a modified feed screw the loading unit also meets these requirements.

THE 3-POINT LOADING UNIT *The value-for-money alternative.*



THE 6 METER - FEED HOPPER *For side tipping.*



Your distributor:

CanAGRO GmbH

Sitz Emleben

Schwabhäuser Straße 1 · 99869 Emleben

Telephone: 0049 (0)3621 514470

Fax: 0049 (0)3621 5144722

Sitz Wiesbaden

Riedhof · 65207 Wiesbaden

Telephone: 0049 (0) 6122 2262

Fax: 0049 (0) 6122 13200

Mail: info@canagro.de

www.canagro.de

Over 25 YEARS of
family-owned quality and service.

