

MOBILE LOADING UNIT

The Alternative to Transfer Vehicles.



CanAGRO is currently developing various design studies for mobile loading units for the non-energy dependant and flexible transfer of bulk materials.



CanAGRO is currently developing various design studies for mobile loading units for the non-energy dependant and flexible transfer of bulk materials.

The basic variant consists, as always, of a chassis-mounted feed hopper and a leading hydraulically sideways extendable and height adjustable transfer screw feed with a diameter of 250 mm (120 t/h), 330 mm (up to 200 t/h) or 400 mm (up to 300 t/h) depending on requirements and intended application.

Designs with chassis for attach-

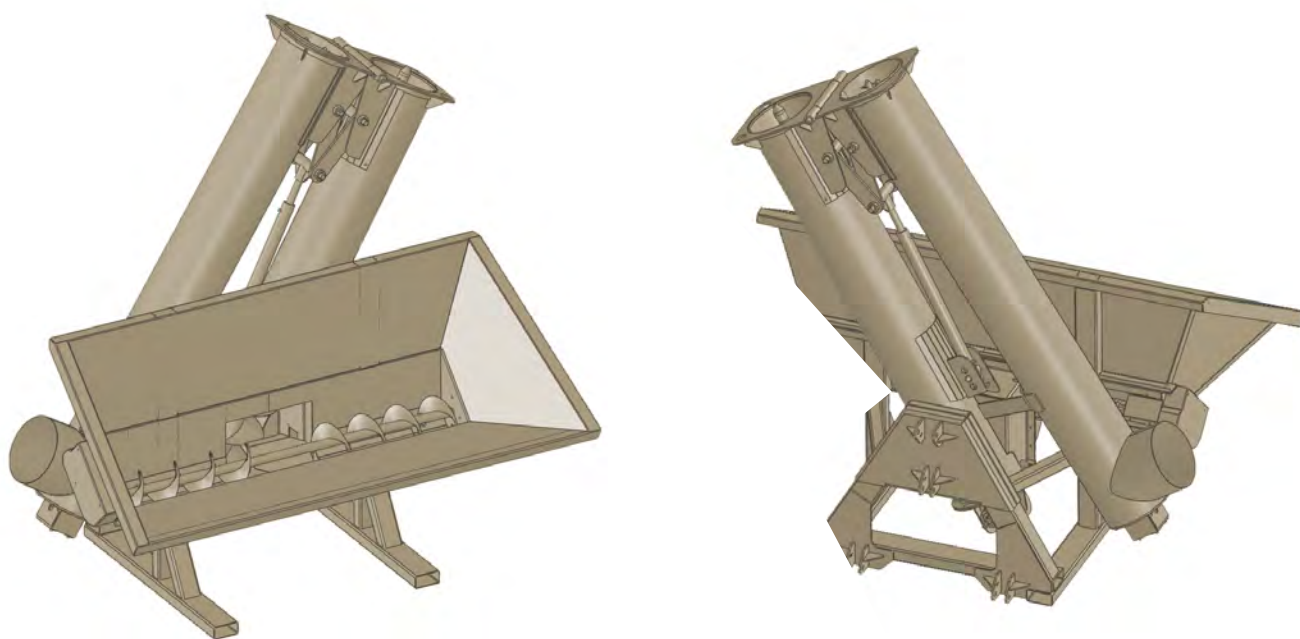
ment to a tractor or other available vehicles, as well as simplified models for 3-point attachment are planned.

Likewise, various feed hopper designs are being considered, for example a 6 metre long feed hopper for side tipping, but also models with a 2,500 mm wide feed hopper for the straight reverse approach and tipping of rear tippers and dumper trucks. The drive is normally transmitted through the power take-off shaft of a tractor, but other drives via hydraulic or electric motors only are also possible.

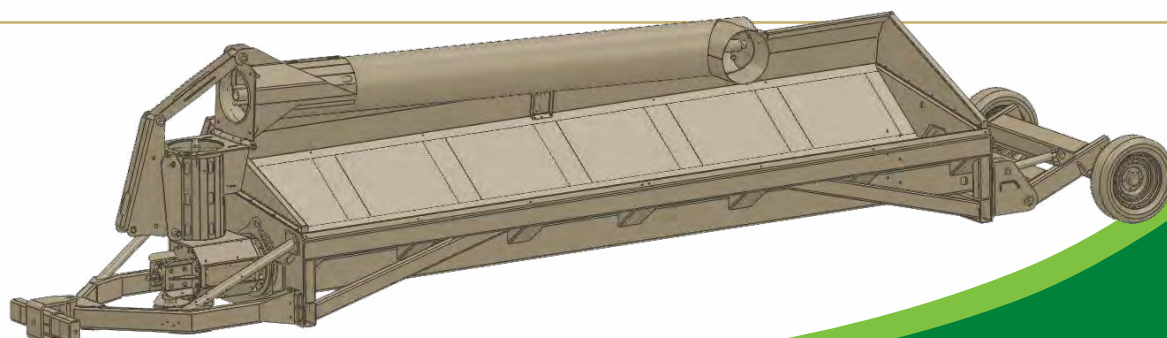
POSSIBLE APPLICATIONS FOR THIS SYSTEM

- as an alternative transfer vehicle during*
The grain can be directly loaded onto lorries at the edge of the field.
- as a mobile loading unit for grain merchants*
The grain stored by farmers can be thus loaded onto a lorry.
- for non-energy dependant loading of railway wagons*
The delivery lorry can drive up to the feed hopper of the loading unit with its entire rear wall width and transfer the bulk material via the transfer feed screw.
- non-energy dependant and un-coupled from trailer loading of seed drills and fertilizer spreaders*
The transfer feed screw of the loading unit has a good reach and can be operated with little power (HP).
- for the loading of wood pellets, biomass etc.*
With a modified feed screw the loading unit also meets these requirements.

THE 3-POINT LOADING UNIT *The value-for-money alternative.*



THE 6 METER - FEED HOPPER *For side tipping.*



Your distributor:

CanAGRO GmbH

Sitz Emleben

Schwabhäuser Straße 1 · 99869 Emleben

Telephone: 0049 (0)3621 514470

Fax: 0049 (0)3621 5144722

Sitz Wiesbaden

Riedhof · 65207 Wiesbaden

Telephone: 0049 (0) 6122 2262

Fax: 0049 (0) 6122 13200

Mail: info@canagro.de

www.canagro.de

Over 25 YEARS of
family-owned quality and service.

