

## TRANSFER SYSTEM FOR PUSH-OFF TRAILERS

*The Alternative to Transfer Vehicles.*



In 2012, CanAGRO has developed various concepts for transfer systems for existing transfer vehicles.

With such a solution, push-off trailers are able to be used as an alternative to transfer vehicles and therefore have a much wider area of application.

In our discussions with our customers the transport and transfer of biomass or wood chip-pings was mentioned very often.

For this, therefore, we created a preliminary design on the basis of both variants for the transfer of grain, and in doing so relied

upon the pool of components and kits from our product range “Mobile Loading Units – Alternatives to Transfer Vehicles”.

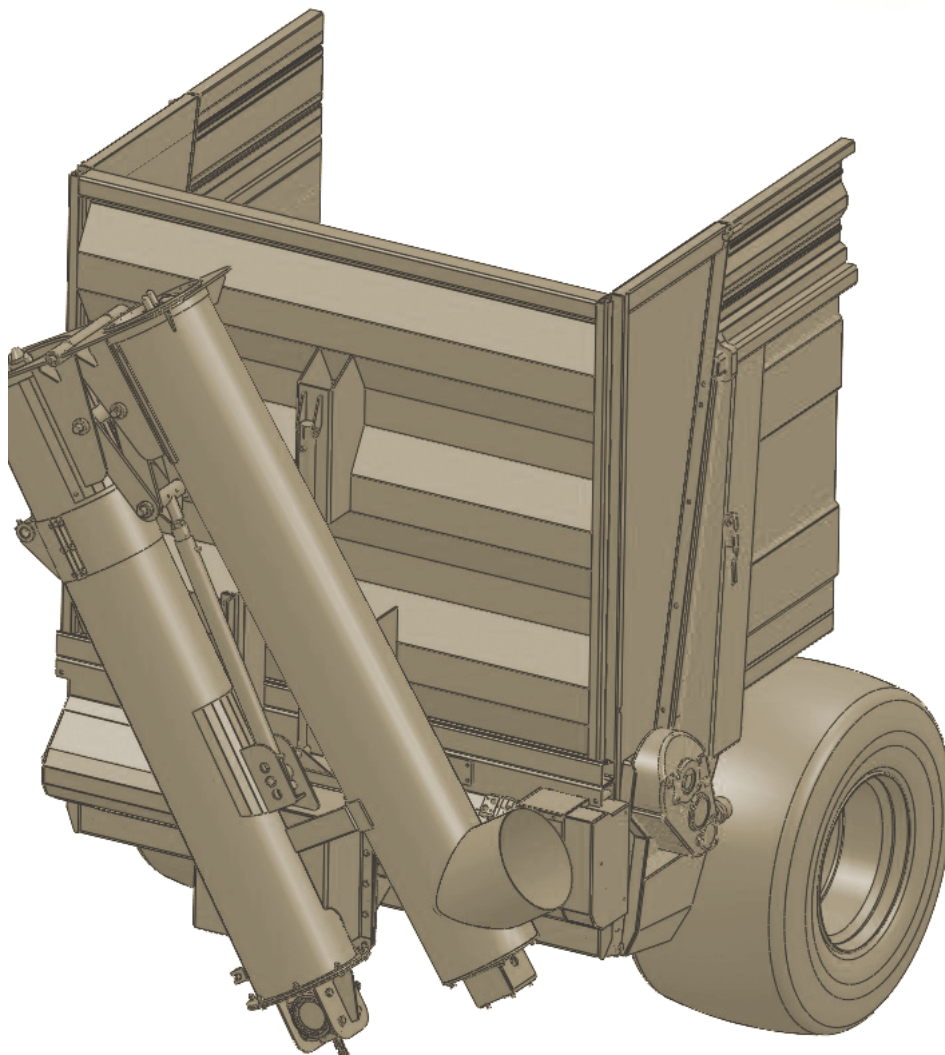
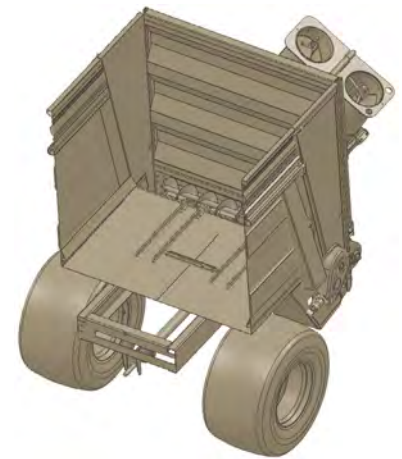
We would like to give you a short presentation of our ideas as follows.

## CONCEPT ONE *For the transfer of grain and good free-flowing bulk materials.*

Variant one is a transfer screw feed with a diameter 400 mm, supplemented by a transverse in-feed screw which collects the bulk material pushed to the back from across the complete width of the vehicle and feeds it to the centrally mounted transfer screw feed. In order to adjust the performance, a hydraulically operated regulating slide has been

fitted in front of the transverse screw feed. The driving of the longitudinal screw feed is done with a hydraulic motor, the driving of the transfer screw feed through a gearbox via a prop shaft.

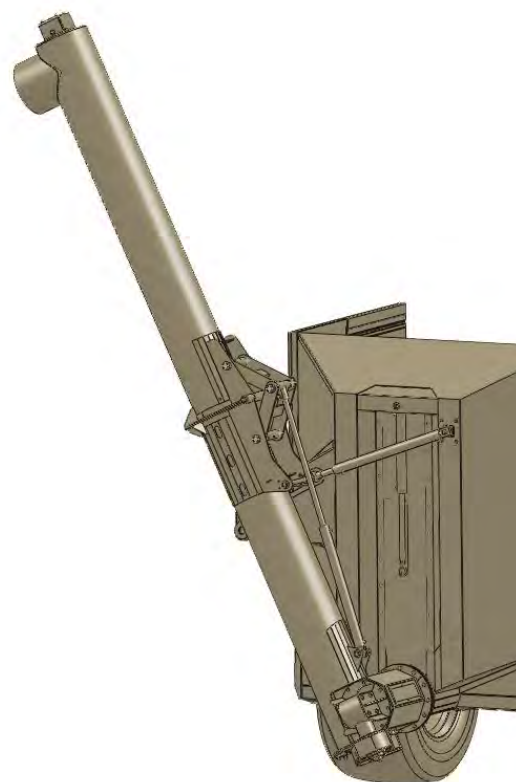
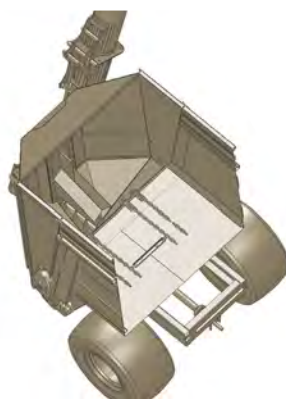
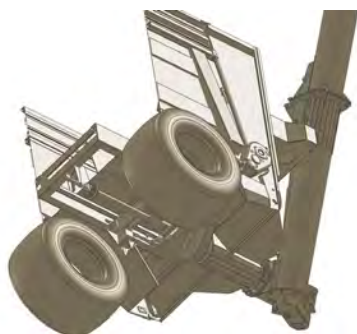
The first unit of the system, mounted on a push-off trailer, is currently at the trial stage, but is also already in practical implementation.



## CONCEPT TWO *For the transfer of grain and good free-flowing bulk materials.*

Variant two is the transfer screw feed with a diameter 400 mm (alternatively also 500 mm) supplemented with a short, longitudinal in-feed screw which collects the transport material and extrudes it into the main screw feed. Unlike Variant 1, here both the transfer screw feed and the in-feed screw are driven by a prop shaft. In order to adjust the performance, here, in this concept also, a hydraulic

regulating slide is positioned above the in-feed screw. Height adjustment of the transfer screw feed via hydraulic cylinders has also been considered in order to set the transfer screw feed at an angle in accordance with the respective conditions. Through this, the side overhang and reach are optimized for the option of being able to load fertilizer spreaders or seed drills.

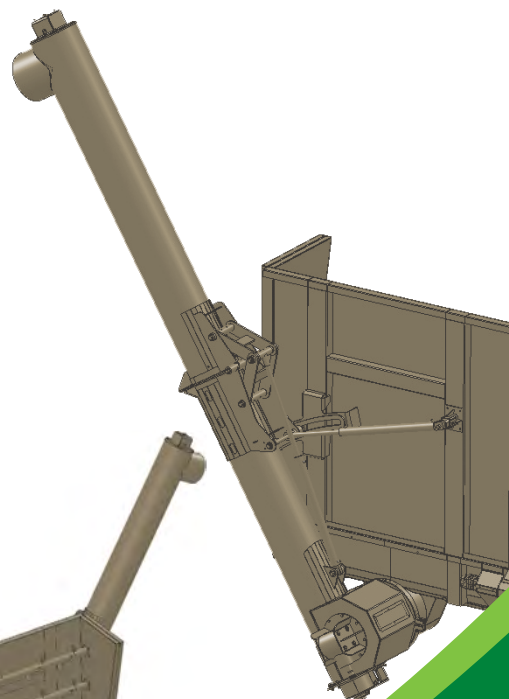
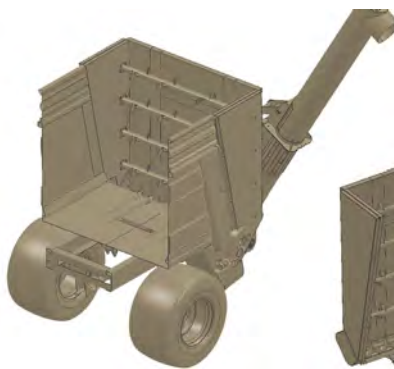


## CONCEPT THREE *For the transfer of biomass, wood chippings etc.*

This is concerned with a design study on the transfer of non-free-flowing materials.

The combination of various parts kits and components from Concept 1, Concept 2 and sub assemblies from the CanAGRO Division „Mobile Loading Stations“, supplemented with several transverse feed

screws positioned on the rear wall. These serve to loosen the process material in order to transport it to the centre via a feed screw mounted below in the tailgate, and, as in Concept 2, to transfer it to the transfer feed screw via a short in-feed screw.



Your distributor:

## CanAGRO GmbH

### Sitz Emleben

Schwabhäuser Straße 1 · 99869 Emleben

Telephone: 0049 (0)3621 514470

Fax: 0049 (0)3621 5144722

### Sitz Wiesbaden

Riedhof · 65207 Wiesbaden

Telephone: 0049 (0) 6122 2262

Fax: 0049 (0) 6122 13200

Mail: [info@canagro.de](mailto:info@canagro.de)

[www.canagro.de](http://www.canagro.de)

Over **25 YEARS** of family-owned  
quality and service.

